

RC840T - Installation Instructions

On/Off Switching Electric Heating Relay with Built-in 24 V Transformer

RC840T

Application

The RC840T Electric Heating Relay is designed to control a line voltage resistive load from a low voltage thermostat. The RC840T relay has a built-in 24 V transformer and is compatible with 3-wire (R,C,W) thermostats as well as 2-wire mechanical and battery-operated thermostats.

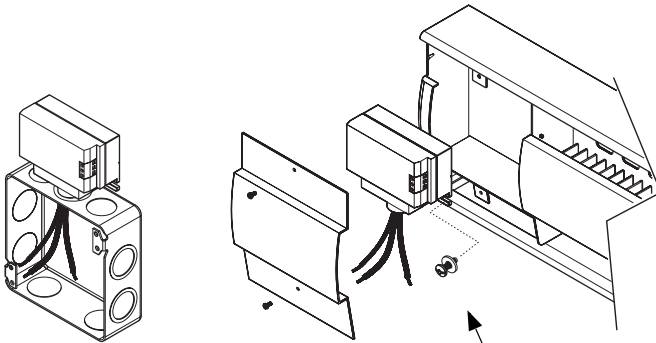
The RC840T operates silently and can be installed in bedrooms, living rooms, or any other occupied area without disturbing occupants. On a call for heat, the relay is immediately activated; there is no delay. This increases temperature control and comfort.

NOTE: Not recommended for fast-cycling modulated regulation. For fast-cycling heating equipment, we recommend the RT850 or RT850T (integrated 24 V transformer) Solid State Relay.

Installation

The RC840T must be installed in an area where the temperature is between -4°F and 140°F (-20°C and 60°C).

The RC840T can be installed on the side of an electrical box (1) or a distribution panel or inside the wiring compartment of an electric baseboard (2).



For proper installation, use a screw and a washer.

Figure 1: Installation on the side of an electrical box

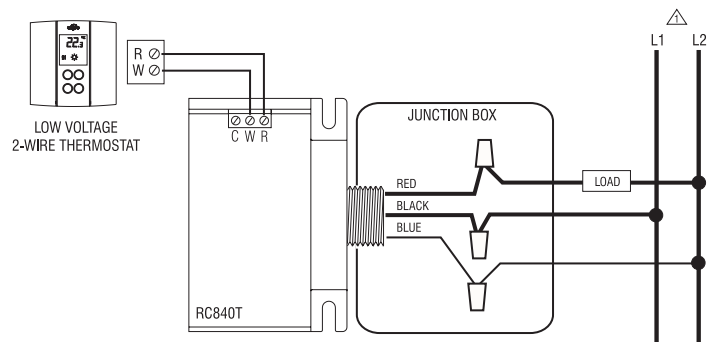
Figure 2: Installation inside the wiring compartment of a baseboard

- ▶ All wiring must comply with national and local electrical code regulations.
- ▶ Installation should be carried out by an electrician.
- ▶ Disconnect power supply before installing the relay to prevent electrical shock.

- 1 Secure relay to the mounting surface using the two mounting brackets. Use the supplied lock nut to secure the relay to the junction box.
- 2 Wire the relay and connect according to typical wiring diagrams (refer to figures 1 & 2).
- 3 Once mounting and wiring have been completed, return power to the heating system and test the installation.

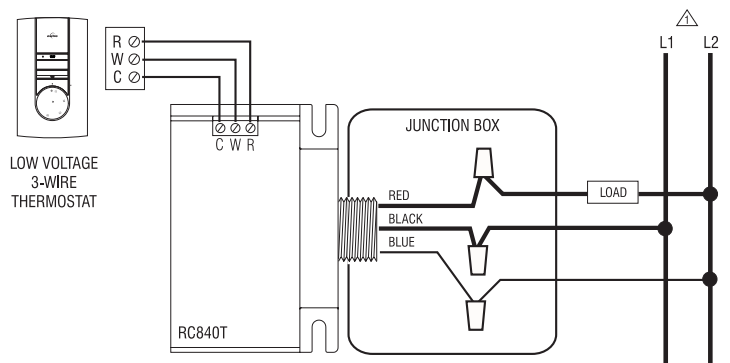
- 4 Increase the thermostat temperature to activate the relay. Allow system operation long enough to proof installation. Once installation has been proofed, set temperature to normal setpoint.

Typical Wiring Diagrams



- ⚠ You must provide an overload protection and disconnect as required.

Figure 1: Connection to a 2-wire low voltage thermostat



- ⚠ You must provide an overload protection and disconnect as required.

Figure 2: Connection to a 3-wire low voltage thermostat

Electrical Specifications

Ensure ratings are suitable for your application.

Voltage (VAC)	208	240	277	347
Resistive load (A)	22	22	19	18
Inductive load (HP)	1.0	1.5		
FLA	12			
LRA	50			
Control signal	24 VAC / 40 mA / 1.2 VA			

Transformer ratings: 24 VAC / 1.2 VA / Class 2

Ambient operating temperature: -4°F to 140°F (-20°C to 60°C)

Ambient storage: -40°F to 175°F (-40°C to 80°C)

Humidity limits: 0 to 95% non-condensing

Net weight: 11.5 oz. (326 g)

Terminal wire size: 12 AWG

Certification: 

Warranty

AUBE TECHNOLOGIES INC. ONE (1) YEAR LIMITED WARRANTY

This product is guaranteed against workmanship defects for a one year period following the initial date of purchase. During this period, AUBE Technologies Inc. will repair or replace, at our option and without charge, any defective product which has been used under normal conditions.

The warranty does not cover delivery costs and does not apply to products poorly installed or randomly damaged following installation. This warranty cancels and replaces any other manufacturer's express or implied warranty as well as any other company commitment.

AUBE Technologies Inc. cannot be held liable for related or random damages following the installation of this product. The defective product as well as the purchase invoice must be returned to the place of purchase or mailed, prepaid and insured, to the following address:

Aube Technologies Inc.
705 Montrichard
Saint-Jean-sur-Richelieu, Quebec, Canada J2X 5K8

Technical Support

If you have any questions concerning the installation of the RC840T relay, call our technical support team at:

Phone: Montreal area: (450) 358-4600
Canada / U.S.: 1-800-831-AUBE (2823)

Fax: (450) 358-4650

Email: service@aubetech.com

Monday to Friday from 8:30 AM to 5:00 PM EST.

For more information on our products, visit us at:

www.aubetech.com

RC840T Dimensions

